

GP 51

GP 51



REYNAERS
aluminium

Cat. nr. 33
Art. nr. AD.A89.C33D.00
Edition 06/2012



INHOUDSTAFEL	33.001-720
OVERZICHT DOORSNEDETEKENINGEN	33.D.001-002
SYSTEEMOVERZICHT	33.D.003-005
CONFIGURATIES 1-2-3-4-5-6 RAIL OP DE VLOER	33.D.006
CONFIGURATIES 1-2-3-4-5-6 RAIL IN DE VLOER	33.D.007





TABLE DES MATIERES
APERCU DES DESSINS DE SECTION
APERCU DU SYSTEME
CONFIGURATIONS 1-2-3-4-5-6 RAIL SUR LE SOL
CONFIGURATIONS 1-2-3-4-5-6 RAIL DANS LE SOL

33.001-720
33.D.001-002
33.D.003-005
33.D.006
33.D.007





TABLE OF CONTENTS	33.001-720
DRAWING SECTIONS OVERVIEW	33.D.001-002
SYSTEM OVERVIEW	33.D.003-005
CONFIGURATIONS 1-2-3-4-5-6 RAIL ON THE FLOOR	33.D.006
CONFIGURATIONS 1-2-3-4-5-6 RAIL IN THE FLOOR	33.D.007





INHALTSANGABE	33.001-720
UEBERSICHT PROFILKOMBINATIONEN	33.D.001-002
SYSTEMUEBERSICHT	33.D.003-005
KONFIGURATIONEN 1-2-3-4-5-6 SCHIENE AUF DEN BODEN	33.D.006
KONFIGURATIONEN 1-2-3-4-5-6 SCHIENE IN DEN BODEN	33.D.007



GP 51



GP 51

1 CONFIGURATIE
 CONFIGURATION



CONFIGURATION
 KONFIGURATION



2 CONFIGURATIE
 CONFIGURATION



CONFIGURATION
 KONFIGURATION



3 CONFIGURATIE
 CONFIGURATION



CONFIGURATION
 KONFIGURATION



4 CONFIGURATIE
 CONFIGURATION



CONFIGURATION
 KONFIGURATION



5 CONFIGURATIE
 CONFIGURATION



CONFIGURATION
 KONFIGURATION



6 CONFIGURATIE
 CONFIGURATION



CONFIGURATION
 KONFIGURATION

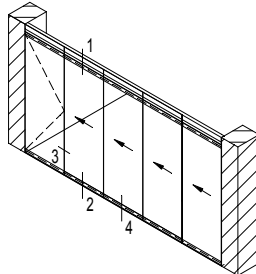


GP 51



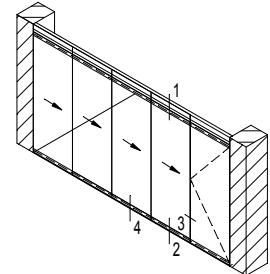
1 CONFIGURATIE 1 CONFIGURATION 1

RAIL OP DE VLOER
 RAIL SUR LE SOL
 RAIL ON THE FLOOR
 SCHIENE AUF DEN BODEN

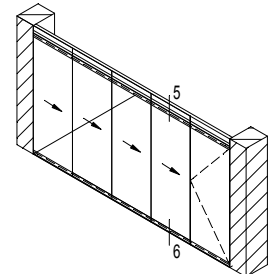
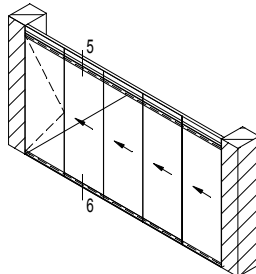


CONFIGURATION 1 KONFIGURATION 1

VENSTERBANKEN
 BAVETTES
 WINDOW SILLS
 FENSTERBANKE

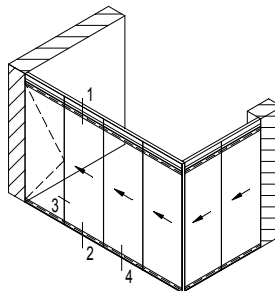


RAIL IN DE VLOER
 RAIL DANS LE SOL
 RAIL IN THE FLOOR
 SCHIENE IN DEN BODEN



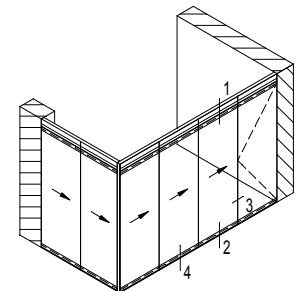
2 CONFIGURATIE 2 CONFIGURATION 2

RAIL OP DE VLOER
 RAIL SUR LE SOL
 RAIL ON THE FLOOR
 SCHIENE AUF DEN BODEN

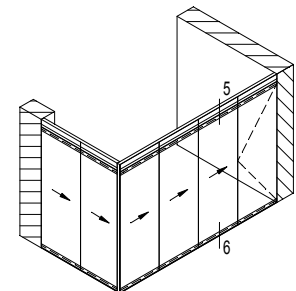
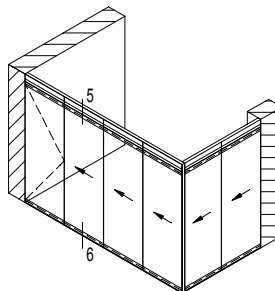


CONFIGURATION 2 KONFIGURATION 2

VENSTERBANKEN
 BAVETTES
 WINDOW SILLS
 FENSTERBANKE



RAIL IN DE VLOER
 RAIL DANS LE SOL
 RAIL IN THE FLOOR
 SCHIENE IN DEN BODEN

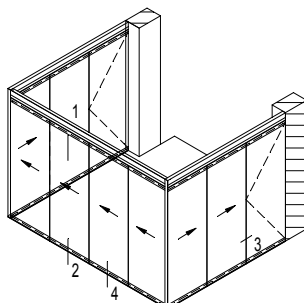


GP 51



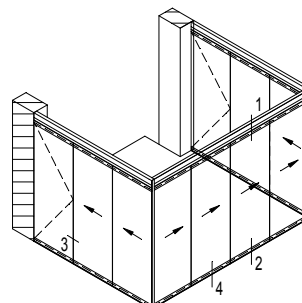
3 CONFIGURATIE 3 CONFIGURATION 3

RAIL OP DE VLOER
 RAIL SUR LE SOL
 RAIL ON THE FLOOR
 SCHIENE AUF DEN BODEN

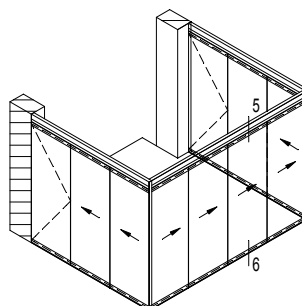
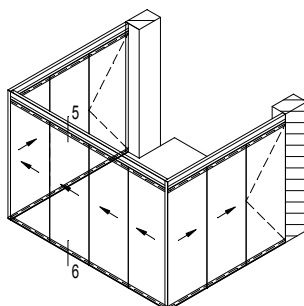


CONFIGURATION 3 KONFIGURATION 3

VENSTERBANKEN
 BAVETTES
 WINDOW SILLS
 FENSTERBANKE

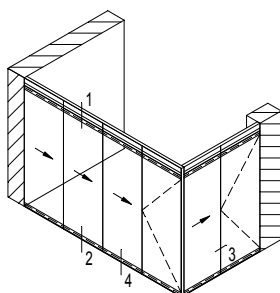


RAIL IN DE VLOER
 RAIL DANS LE SOL
 RAIL IN THE FLOOR
 SCHIENE IN DEN BODEN



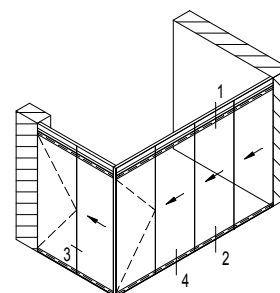
4 CONFIGURATIE 4 CONFIGURATION 4

RAIL OP DE VLOER
 RAIL SUR LE SOL
 RAIL ON THE FLOOR
 SCHIENE AUF DEN BODEN

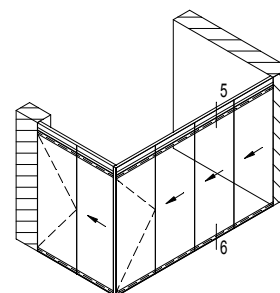
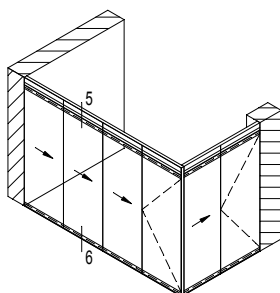


CONFIGURATION 4 KONFIGURATION 4

VENSTERBANKEN
 BAVETTES
 WINDOW SILLS
 FENSTERBANKE



RAIL IN DE VLOER
 RAIL DANS LE SOL
 RAIL IN THE FLOOR
 SCHIENE IN DEN BODEN

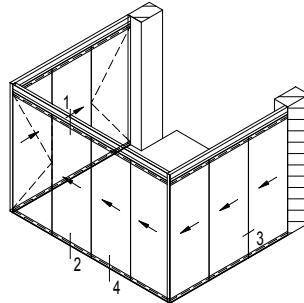


GP 51



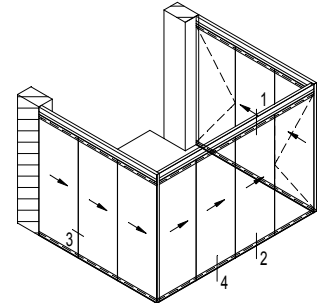
5 CONFIGURATIE 5 CONFIGURATION 5

RAIL OP DE VLOER
 RAIL SUR LE SOL
 RAIL ON THE FLOOR
 SCHIENE AUF DEN BODEN

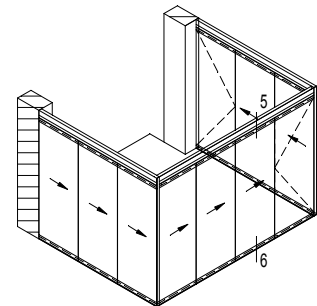
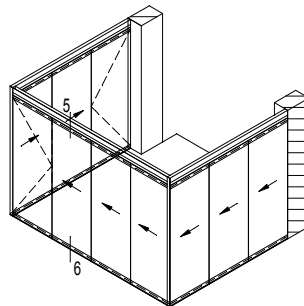


CONFIGURATION 5 KONFIGURATION 5

VERSILERSBANKENIZAR
 BAVETTES
 WINDOW SILLS
 FENSTERBANKE

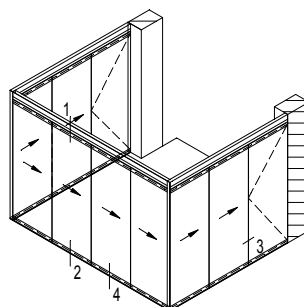


RAIL IN DE VLOER
 RAIL DANS LE SOL
 RAIL IN THE FLOOR
 SCHIENE IN DEN BODEN



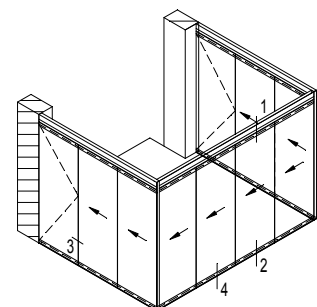
6 CONFIGURATIE 6 CONFIGURATION 6

RAIL OP DE VLOER
 RAIL SUR LE SOL
 RAIL ON THE FLOOR
 SCHIENE AUF DEN BODEN

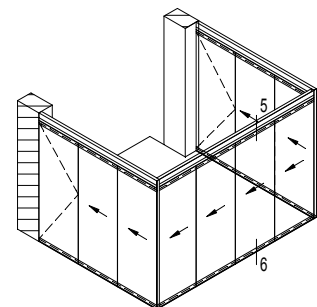
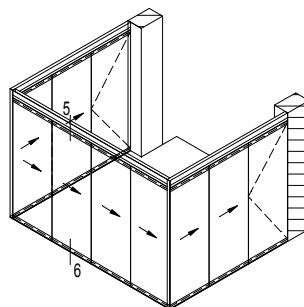


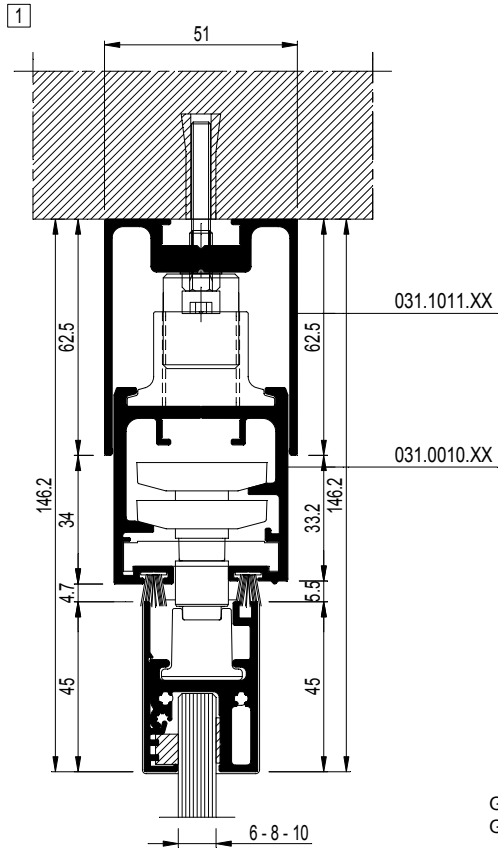
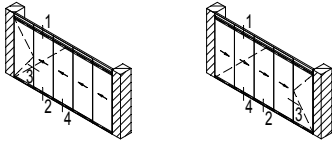
CONFIGURATION 6 KONFIGURATION 6

VERSILERSBANKENIZAR
 BAVETTES
 WINDOW SILLS
 FENSTERBANKE

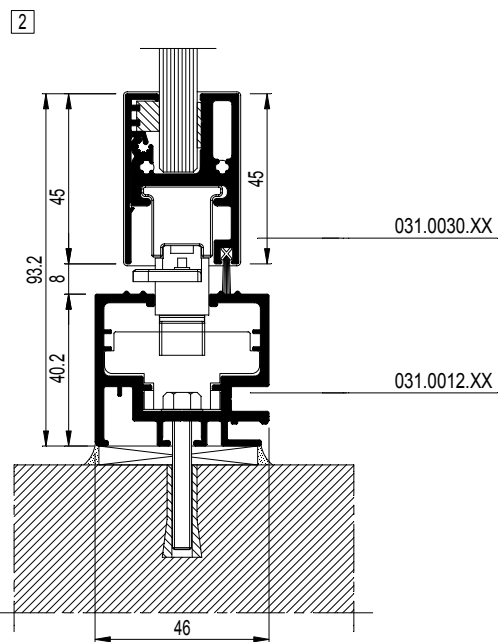
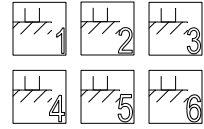


RAIL IN DE VLOER
 RAIL DANS LE SOL
 RAIL IN THE FLOOR
 SCHIENE IN DEN BODEN

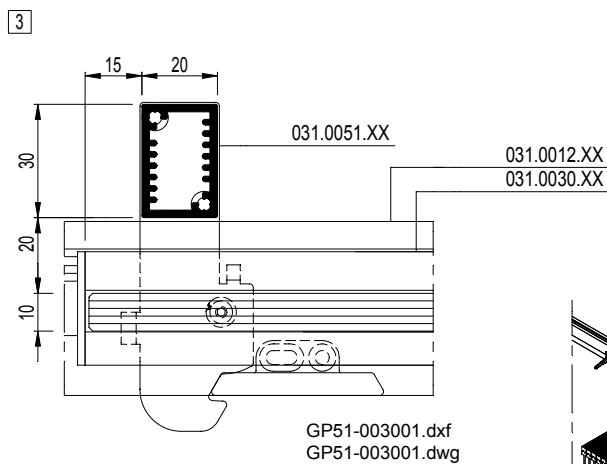




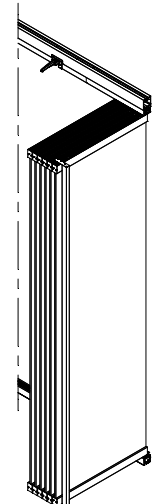
GP51-001001.dxf
 GP51-001001.dwg



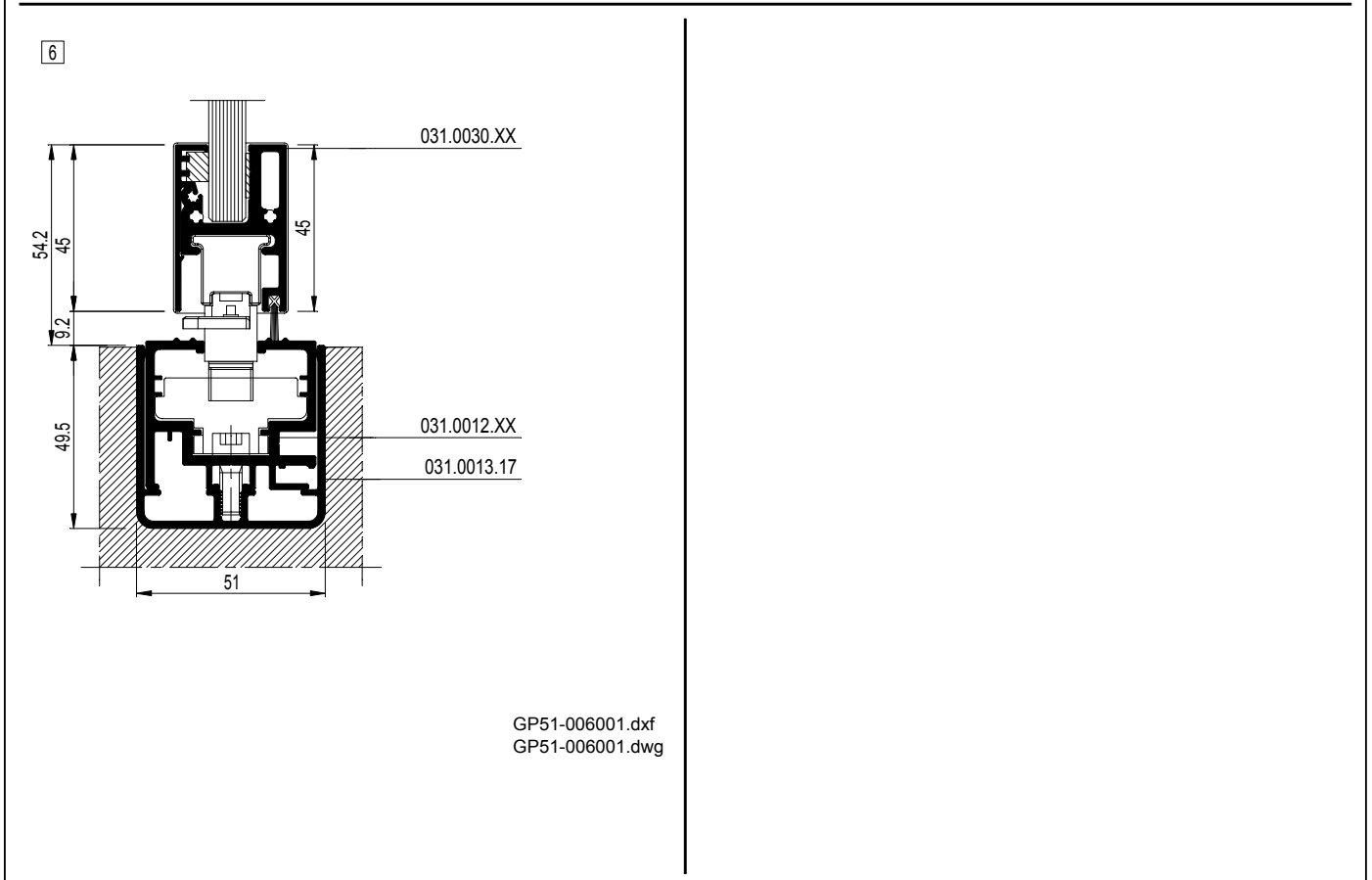
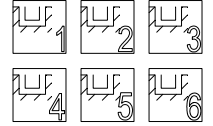
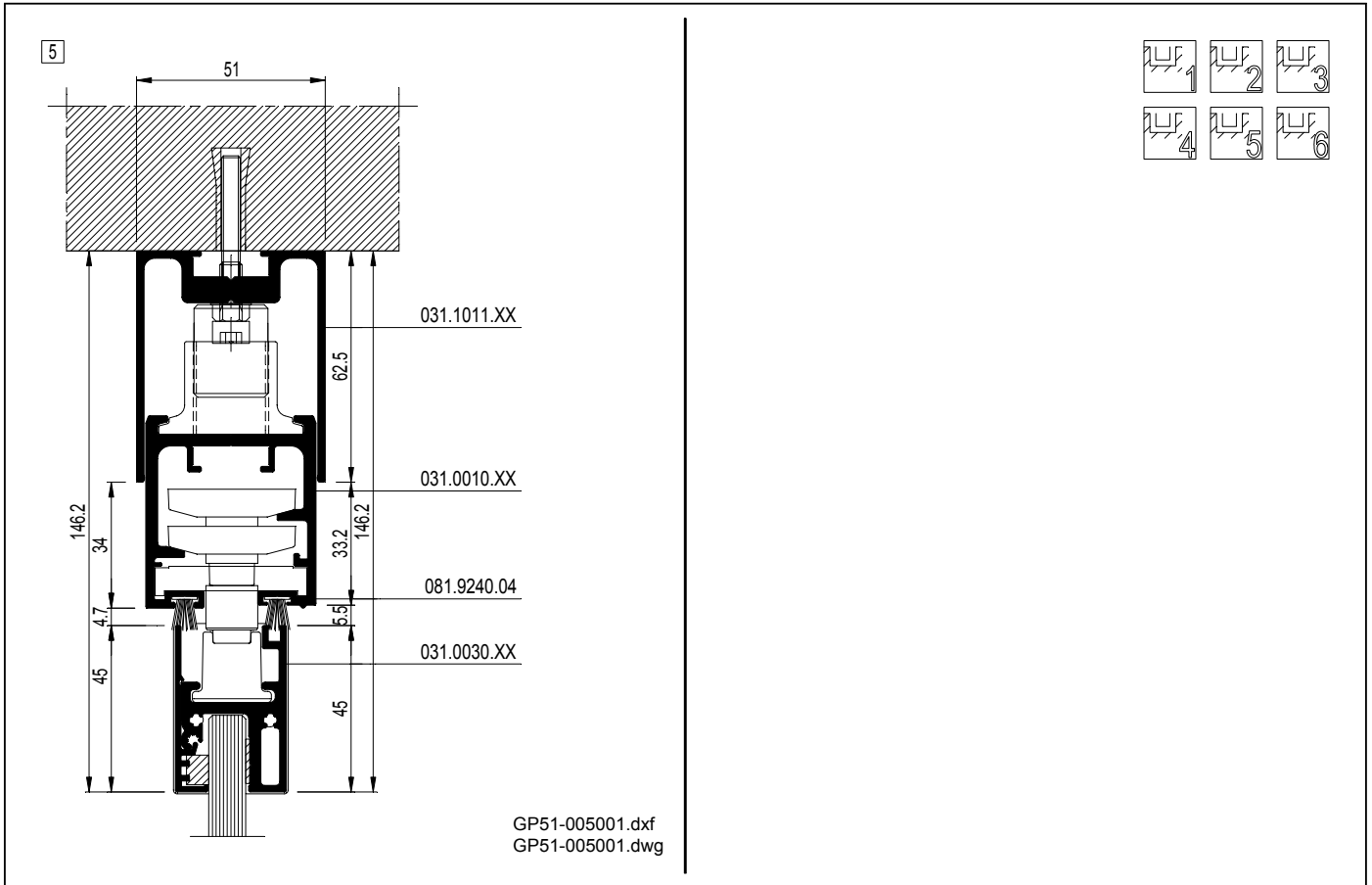
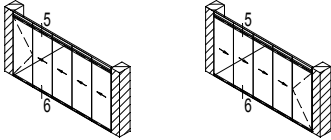
GP51-002001.dxf
 GP51-002001.dwg

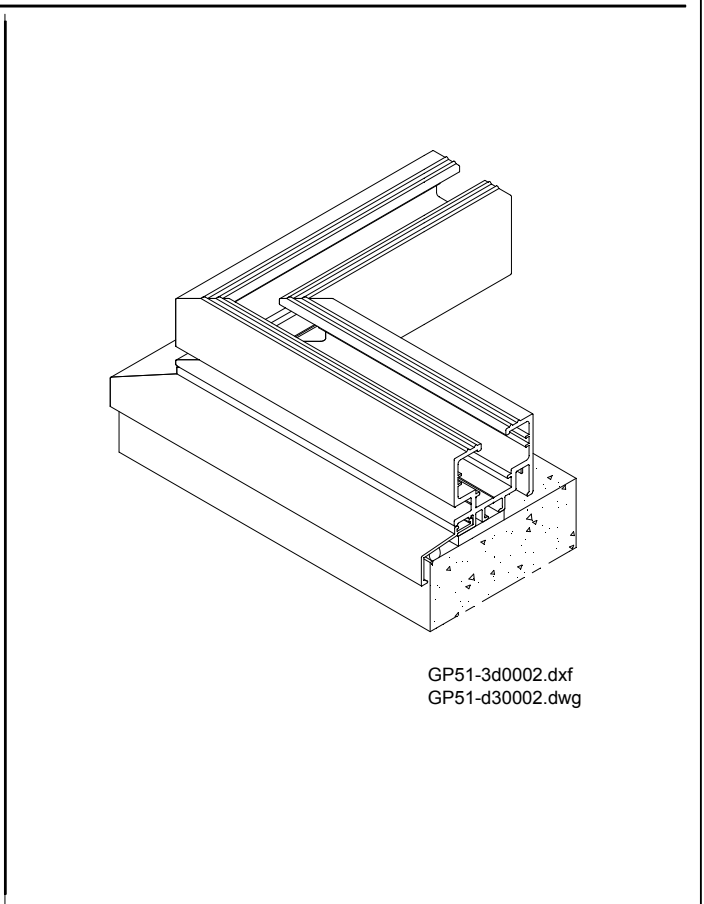
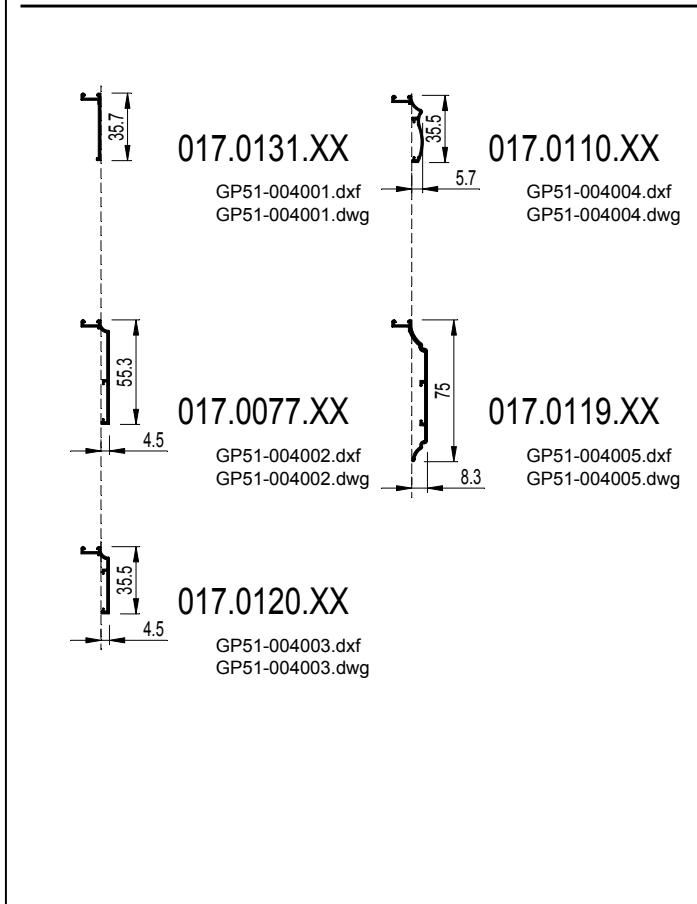
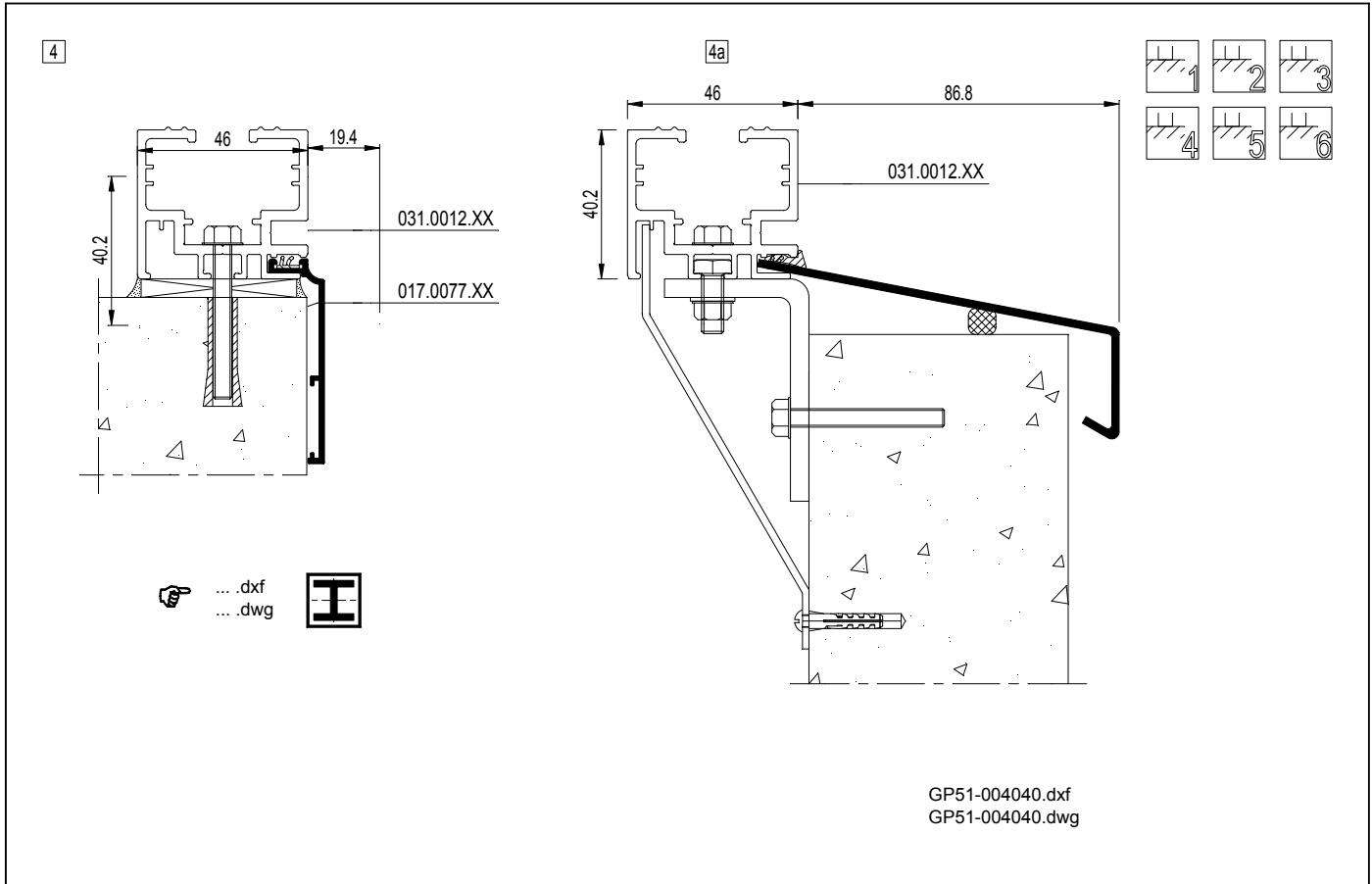
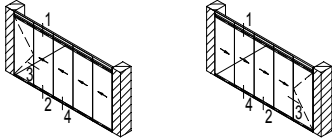


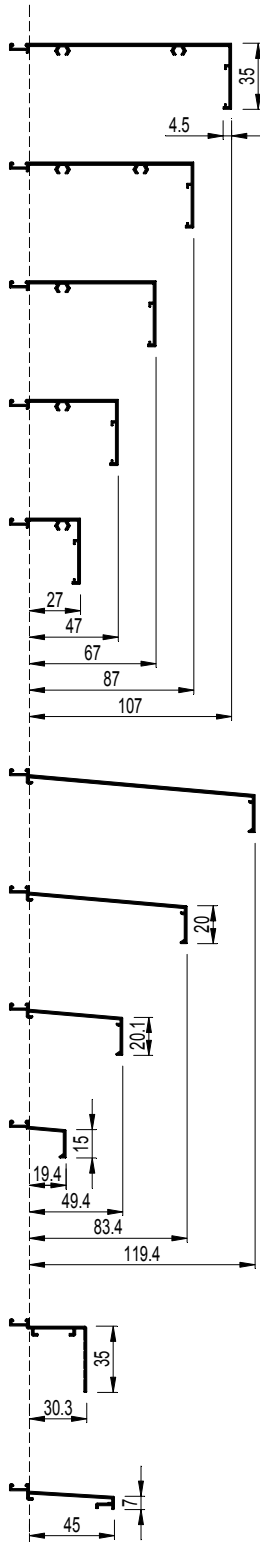
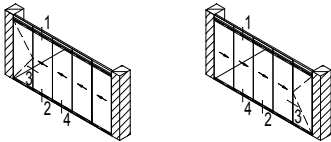
GP51-003001.dxf
 GP51-003001.dwg



GP51-3d0001.dxf
 GP51-3d0001.dwg







017.0214.XX

GP51-004006.dxf
 GP51-004006.dwg

017.0213.XX

GP51-004007.dxf
 GP51-004007.dwg

017.0212.XX

GP51-004008.dxf
 GP51-004008.dwg

017.0211.XX

GP51-004009.dxf
 GP51-004009.dwg

017.0216.XX

GP51-004010.dxf
 GP51-004010.dwg

017.0205.XX

GP51-004011.dxf
 GP51-004011.dwg

017.0199.XX

GP51-004012.dxf
 GP51-004012.dwg

017.0198.XX

GP51-004013.dxf
 GP51-004013.dwg

017.0197.XX

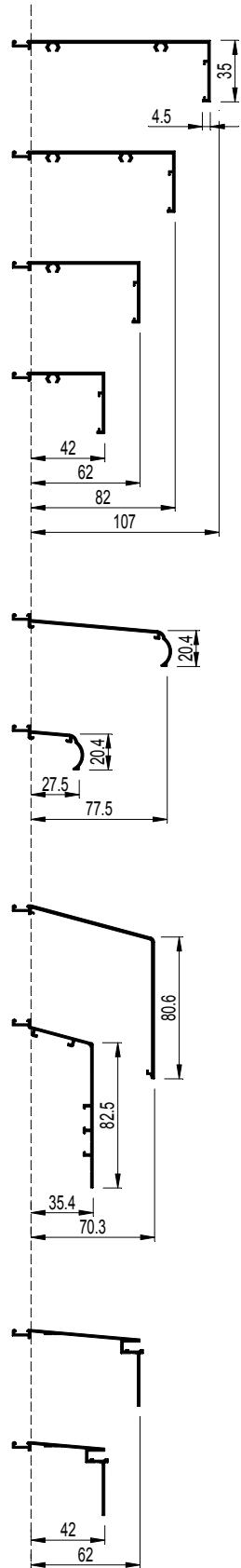
GP51-004014.dxf
 GP51-004014.dwg

017.0129.XX

GP51-004015.dxf
 GP51-004015.dwg

017.0233.XX

GP51-004016.dxf
 GP51-004016.dwg



017.0204.XX

GP51-004020.dxf
 GP51-004020.dwg

017.0203.XX

GP51-004021.dxf
 GP51-004021.dwg

017.0202.XX

GP51-004022.dxf
 GP51-004022.dwg

017.0201.XX

GP51-004023.dxf
 GP51-004023.dwg

017.0235.XX

GP51-004025.dxf
 GP51-004025.dwg

017.0234.XX

GP51-004026.dxf
 GP51-004026.dwg

017.5003.XX

GP51-004030.dxf
 GP51-004030.dwg

017.0127.XX

GP51-004031.dxf
 GP51-004031.dwg

017.0190.XX

GP51-004035.dxf
 GP51-004035.dwg

017.0189.XX

GP51-004036.dxf
 GP51-004036.dwg

GP 51

CONFIGURATIES 1-2-3-4-5-6 VENSTERBANKEN
CONFIGURATIONS 1-2-3-4-5-6 BAVETTES
CONFIGURATIONS 1-2-3-4-5-6 WINDOW SILLS
KONFIGURATIONEN 1-2-3-4-5-6 FENSTERBANKE





www.reynaers.com